



INWELL

INWELL INC.
16782 VON KARMAN AVE STE 25, IRVINE, CA92606-2418

HANGZHOU ELUM TECHNOLOGY GROUP CO., LTD.
ROOM 315, BUILDING 2, XIXI CENTURY CENTER,
JIANGDUN ROAD, 310030, HANGZHOU, CHINA

E-MAIL : SALES@INWELLPRODUCTS.COM
WEBSITE : WWW.INWELLPRODUCTS.COM

INWELL

SOCKETS AND SOCKET SETS

1/4" IMPACT SOCKET

MOD: W 4-001



MODEL	SIZE (mm)	SIZE (inch)	L (mm)	D1 MAX (mm)	D2 MAX (mm)
W 4-001A	4	5/32	25	6.8	13.8
W 4-001B	4.5		25	7.2	13.8
W 4-001C	5	3/16	25	8	13.8
W 4-001D	5.5	7/32	25	8.5	13.8
W 4-001E	6	1/4	25	9.2	13.8
W 4-001F	6.5		25	9.2	13.8
W 4-001G	7	9/32	25	10.8	13.8
W 4-001H	8	5/16	25	11.8	13.8
W 4-001I	9	11/32	25	12.8	13.8
W 4-001J	10	3/8	25	13.8	14.8
W 4-001K	11	7/16	25	13.8	15.8
W 4-001L	12	15/32	25	14.7	16.8
W 4-001M	13	1/2	25	15.7	17.8
W 4-001N	14	9/16	25	17.3	19.8
W 4-001O	15		25	18.3	20.8
W 4-001P		5/8	25	18.3	20.8

3/8" IMPACT SOCKET

MOD: W 4-002



MODEL	SIZE (mm)	SIZE (inch)	L (mm)	D1 MAX (mm)	D2 MAX (mm)
W 4-002A	6	1/4	32	12	30
W 4-002B	7	9/32	32	12.6	30
W 4-002C	8	5/16	32	14	30
W 4-002D	9	11/32	32	14.5	30
W 4-002E	10	3/8	32	15.8	30
W 4-002F	11	7/16	32	16.9	30
W 4-002G	12	15/32	32	18.2	25
W 4-002H	13	1/2	32	19.5	25
W 4-002I	14	9/16	32	20.5	20
W 4-002J	15		32	22	20
W 4-002K	16	5/8	32	24	20
W 4-002L	17	11/16	34	25	20
W 4-002M	18		34	26	16
W 4-002N	19	3/4	34	28	16
W 4-002O	20		34	28	12
W 4-002P	21	13/16	34	30	12
W 4-002Q	22	7/8	34	32	9
W 4-002R	23		34	32	8
W 4-002S	24	15/16	34	34	8

1/4" DEEP IMPACT SOCKET

MOD: W 4-003



MODEL	SIZE (mm)	SIZE (inch)	L (mm)	D1 MAX (mm)	D2 MAX (mm)
W 4-003A	4	5/32	50	7.2	13.8
W 4-003B	4.5		50	7.2	13.8
W 4-003C	5	3/16	50	8	13.8
W 4-003D	5.5	7/32	50	8.5	13.8
W 4-003E	6	1/4	50	9.2	13.8
W 4-003F	7	9/32	50	10.8	13.8
W 4-003G	8	5/16	50	11.8	13.8
W 4-003H	9	11/32	50	12.8	13.8
W 4-003I	10	3/8	50	13.8	14.8
W 4-003J	11	7/16	50	13.8	15.8
W 4-003K	12	15/32	50	14.7	16.8
W 4-003L	13	1/2	50	15.7	17.8
W 4-003M	14	9/16	50	17.3	19.8
W 4-003N	15		50	18.3	20.8
W 4-003O		5/8	50	18.3	20.8

1/2" DEEP IMPACT SOCKET

MOD: W 4-004



MODEL	SIZE (mm)	SIZE (inch)	L (mm)	D1 MAX (mm)	D2 MAX (mm)
W 4-004A-1	8	5/16	78	15	24.8
W 4-004A-2	9	11/32	78	16.3	24.8
W 4-004A-3	10	3/8	78	17.5	24.8
W 4-004A-4	11	7/16	78	18	24.8
W 4-004A-5	12	15/32	78	19	24.8
W 4-004A-6	13	1/2	78	20	24.8
W 4-004A-7	14	9/16	78	22	24.8
W 4-004A-8	15		78	23	24.8
W 4-004A-9	16	5/8	78	24	24.8
W 4-004B-1	17	11/16	78	25	29.8
W 4-004B-2	18		78	26	29.8
W 4-004B-3	19	3/4	78	27	29.8
W 4-004B-4	20		78	29	29.8
W 4-004B-5	21	13/16	78	29.8	29.8
W 4-004B-6	22	7/8	78	31.8	30
W 4-004B-7	23	29/32	78	33.8	30
W 4-004B-8	24	15/16	78	33.8	30
W 4-004B-9	25	31/32	78	35.8	30
W 4-004C-1	26	1	78	35.8	30
W 4-004C-2	27	1-1/16	78	37.8	30
W 4-004C-3	28	1-1/8	78	39.8	30
W 4-004C-4	29		78	39.8	30
W 4-004C-5	30	1-3/16	78	42.8	30.5
W 4-004C-6	31		78	43.8	32.5
W 4-004C-7	32	1-1/4	78	43.8	32.5
W 4-004C-8	33		78	44.8	32.5
W 4-004C-9	34	1-5/16	78	46.8	35.8
W 4-004D-1	35	1-3/8	78	46.8	35.8
W 4-004D-2	36	1-7/16	78	49.8	36.8

3/4" DEEP IMPACT SOCKET

MOD: W 4-005



MODEL	SIZE (mm)	L (mm)	D2 MAX (mm)
W 4-005A-1	17	90	44
W 4-005A-2	18	90	44
W 4-005A-3	19	90	44
W 4-005A-4	21	90	44
W 4-005A-5	22	90	44
W 4-005A-6	23	90	44
W 4-005A-7	24	90	44
W 4-005A-8	27	90	44
W 4-005A-9	28	90	44
W 4-005B-1	30	90	44
W 4-005B-2	32	90	44
W 4-005B-3	33	90	44
W 4-005B-4	34	90	44
W 4-005B-5	36	90	44
W 4-005B-6	38	90	44
W 4-005B-7	41	90	44
W 4-005B-8	46	95	44
W 4-005B-9	48	95	44
W 4-005C-1	50	95	54
W 4-005C-2	55	100	54
W 4-005C-3	60	100	54
W 4-005C-4	65	100	54

3/8" IMPACT EXTENSION BAR

MOD: W 4-006



MODEL	SIZE (inch)	L (mm)
W 4-006A	3	75
W 4-006B	6	150
W 4-006C	10	250

1/2" IMPACT EXTENSION BAR

MOD: W 4-007



MODEL	SIZE (inch)	L (mm)
W 4-007A	3	75
W 4-007B	4	100
W 4-007C	5	125
W 4-007D	8	200
W 4-007F	10	250

3/4" IMPACT EXTENSION BAR

MOD: W 4-008



MODEL	SIZE (inch)	L (mm)
W 4-008A	3	75
W 4-008B	4	100
W 4-008C	5	125
W 4-008D	7	175
W 4-008E	8	200
W 4-008F	10	250
W 4-008G	13	325
W 4-008H	16	400

1" IMPACT EXTENSION BAR

MOD: W 4-009



MODEL	SIZE (inch)	L (mm)
W 4-009A	3	75
W 4-009B	5	125
W 4-009C	7	175
W 4-009D	8	200
W 4-009E	10	250
W 4-009F	13	325
W 4-009G	16	400

3/8" IMPACT ADAPTER

MOD: W 4 -010



MODEL	SIZE (inch)	L(mm)
W 4-010A	3/8 - 1/2	36
W 4-010B	3/8 - 1/4	

1/2" IMPACT ADAPTER

MOD: W 4-011



MODEL	SIZE (inch)	L(mm)
W 4-011A	1/2 - 3/8	48
W 4-011B	1/2 - 3/4	38

3/4" IMPACT ADAPTER

MOD: W 4-012



MODEL	SIZE (inch)	L(mm)
W 4-012A	3/4 - 1/2	57
W 4-012B	3/4 - 1	63

1" IMPACT ADAPTER

MOD: W 4-013



MODEL	SIZE (inch)	L(mm)
W 4-013A	1 - 3/4	70
W 4-013B	1 - 1/2	70

3/8" IMPACT UNIVERSAL JOINT

MOD: W 4-014



MODEL	SIZE (inch)	D (mm)	L (mm)
W 4-014	3/8	27	49

1/2" IMPACT UNIVERSAL JOINT

MOD: W 4-015



MODEL	SIZE (inch)	D (mm)	L (mm)
W 4-015	1/2	31	60

3/4" IMPACT UNIVERSAL JOINT

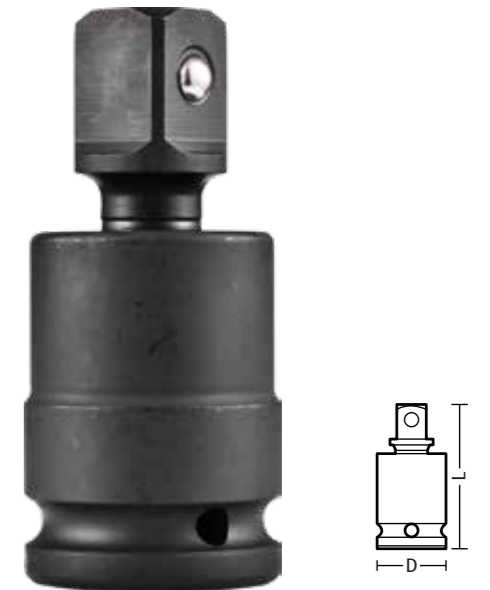
MOD: W 4-016



MODEL	SIZE (inch)	D (mm)	L (mm)
W 4-016	3/4	42	93

1" IMPACT UNIVERSAL JOINT

MOD: W 4-017



MODEL	SIZE (inch)	D (mm)	L (mm)
W 4-017	1	60	124

1/4" SOCKETS

MOD: W 4-018



MODEL	SIZE (mm)	SIZE (inch)	L (mm)	D1 MAX (mm)	D2 MAX (mm)
W 4-018A	4	5/32	25	6.9	6.9
W 4-018B	4.5		25	7.9	7.9
W 4-018C	5	3/16	25	8.2	8.2
W 4-018D	5.5	7/32	25	8.8	8.8
W 4-018E	6	1/4	25	9.4	9.4
W 4-018F	6.5		25	9.8	9.8
W 4-018G	7	9/32	25	11	11
W 4-018H	8	5/16	25	12	12
W 4-018I	9	11/32	25	13	13
W 4-018J	10	3/8	25	14.7	14.7
W 4-018K	11	7/16	25	16	16
W 4-018L	12	15/32	25	17	17
W 4-018M	13	1/2	25	18	18
W 4-018N	14	9/16	25	20	20

3/8" SOCKETS

MOD: W 4-019



MODEL	SIZE (mm)	SIZE (inch)	L (mm)	D1 MAX (mm)	D2 MAX (mm)
W 4-019A	6	1/4	28	11	11
W 4-019B	7	9/32	28	11	11
W 4-019C	8	5/16	28	12.2	12.2
W 4-019D	9	11/32	28	13.5	13.5
W 4-019E	10	3/8	28	14.7	14.7
W 4-019F	11	7/16	28	16	16
W 4-019G	12	15/36	28	18	18
W 4-019H	13	1/2	28	19	19
W 4-019I	14	9/16	28	20	20
W 4-019J	15		28	22.5	22.5
W 4-019K	16	5/8	28	22.5	22.5
W 4-019L	17	11/16	30	24	24
W 4-019M	18		30	24.7	24.7
W 4-019N	19	3/4	30	26	26
W 4-019O	20		32	28.5	28.5
W 4-019P	21	13/16	32	28.5	28.5
W 4-019Q	22	7/8	32	30	30
W 4-019R	23		32	32	32

1/2" SOCKETS

MOD: W 4-020



MODEL	SIZE (mm)	SIZE (inch)	L (mm)	D1 MAX (mm)	D2 MAX (mm)
W 4-020A	8	5/16	38	13.7	22
W 4-020B	9	11/32	38	14.2	22
W 4-020C	10	3/8	38	15.5	22
W 4-020D	11	7/16	38	16.5	22
W 4-020E	12	15/32	38	17.8	22
W 4-020F	13	1/2	38	19	22
W 4-020G	14	9/16	38	20.3	22
W 4-020H	15		38	22	22
W 4-020I	16	5/8	38	22	20.5
W 4-020J	17	11/16	38	24	20.5
W 4-020K	18		38	26	23
W 4-020L	19	3/4	38	26	23
W 4-020M	20		38	28	24
W 4-020N	21	13/16	38	28	24
W 4-020O	22	7/8	38	30	26
W 4-020P	23		38	32	28
W 4-020Q	24	15/16	38	32	28
W 4-020R	27	1-1/16	44	38	30
W 4-020S	30	1-3/16	44	40	34
W 4-020T	32	1-1/4	44	42	36
W 4-020U	34		44	44	36
W 4-020V	36		44	46	36

1/4" DEEP SOCKETS

MOD: W 4-021



MODEL	SIZE (mm)	SIZE (inch)	L (mm)	D1 MAX (mm)	D2 MAX (mm)
W 4-021A	4	5/32	48	6.9	12
W 4-021B	5	3/16	48	8.2	12
W 4-021C	6	1/4	48	9.4	12
W 4-021D	7	9/32	48	11	12
W 4-021E	8	5/16	48	12	12
W 4-021F	9	11/32	48	12	12
W 4-021G	10	3/8	48	14.7	14.7
W 4-021H	11	7/16	48	16	16
W 4-021I	12	15/32	48	17.2	17
W 4-021J	13	1/2	48	18.5	18
W 4-021K	14	9/16	48	19.7	20

3/8" DEEP SOCKETS

MOD: W 4-022



MODEL	SIZE (mm)	SIZE (inch)	L (mm)	D1 MAX (mm)	D2 MAX (mm)
W 4-022A	6	1/4	63	11	20
W 4-022B	7		63	11	20
W 4-022C	8	5/16	63	12.2	20
W 4-022D	9		63	13.5	20
W 4-022E	10	3/8	63	14.7	20
W 4-022F	11	7/16	63	16	20
W 4-022G	12		63	18	20
W 4-022H	13	1/2	63	19	20
W 4-022I	14	9/16	63	20	24
W 4-022J	15		63	22.5	24
W 4-022K	16	5/8	63	22.5	24
W 4-022L	17	11/16	63	24	24
W 4-022M	18		63	24.7	24.7
W 4-022N	19	3/4	63	26	26
W 4-022O	20		63	28.5	28.5
W 4-022P	21	13/16	63	28.5	28.5
W 4-022Q	22	7/8	63	30	30
W 4-022R	23		63	32	32
W 4-022S	24	15/16	63	32.5	32.5

1/2" DEEP SOCKETS

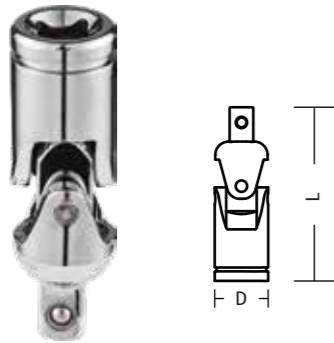
MOD: W 4-023



MODEL	SIZE (mm)	L (mm)	D1 MAX (mm)	D2 MAX (mm)
W 4-023A	8	78	14.8	22
W 4-023B	9	78	15.3	22
W 4-023C	10	78	15.3	22
W 4-023D	11	78	16.5	22
W 4-023E	12	78	18	22
W 4-023F	13	78	19.2	22
W 4-023G	14	78	20.5	22
W 4-023H	15	78	22	20.5
W 4-023I	16	78	22	20.5
W 4-023J	17	78	24.2	21.8
W 4-023K	18	78	26	22.8
W 4-023L	19	78	26	22.8
W 4-023M	20	78	28	23.8
W 4-023N	21	78	28	23.8
W 4-023O	22	78	30	26
W 4-023P	23	78	32	28
W 4-023Q	24	78	32	28
W 4-023R	27	78	36	30
W 4-023S	30	78	40	34
W 4-023T	32	78	42	36

1/4" UNIVERSAL JOINT

MOD: W 4-024



MODEL	SIZE (inch)	D (mm)	L (mm)
W 4-024	1/4	14	40

1/4" ADAPTER

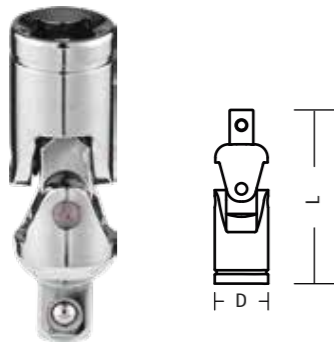
MOD: W 4-025



MODEL	SIZE (inch)	D (mm)	L (mm)
W 4-025	1/4*3/8	20	32

3/8" UNIVERSAL JOINT

MOD: W 4-026



MODEL	SIZE (inch)	D (mm)	L (mm)
W 4-026	3/8	18	55

3/8" ADAPTER

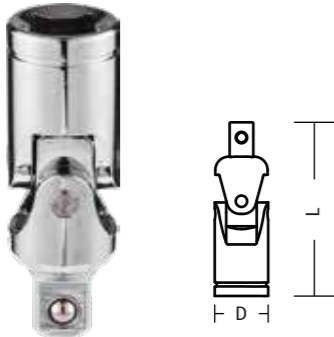
MOD: W 4-027



MODEL	SIZE (inch)	D (mm)	L (mm)
W 4-027A	3/8*1/4	18	25
W 4-027B	3/8*1/2	18	38

1/2" UNIVERSAL JOINT

MOD: W 4-028



MODEL	SIZE (inch)	D (mm)	L (mm)
W 4-028	1/2	24	73

1/2" ADAPTER

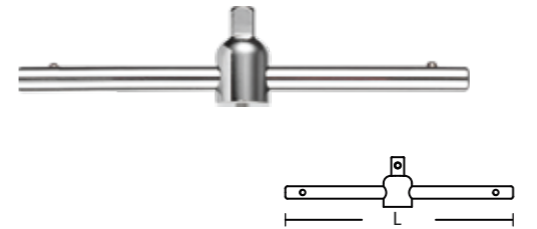
MOD: W 4-029



MODEL	SIZE (inch)	D (mm)	L (mm)
W 4-029A	1/2*3/8	16	38
W 4-029B	1/2*1/4	22	33

1/4" SLIDING T-BAR

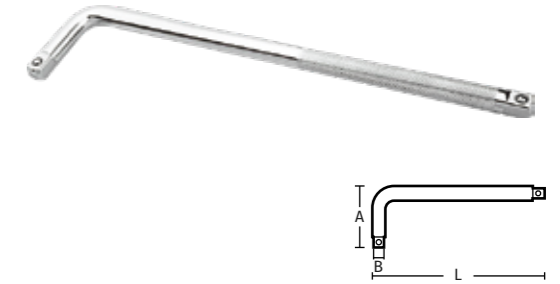
MOD: W 4-030



MODEL	SIZE (inch)	D (mm)	L (mm)
W 4-030	1/4	24	110

1/4" L-HANDLE

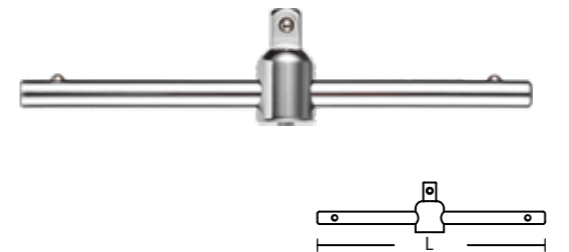
MOD: W 4-031



MODEL	SIZE (inch)	A (mm)	B (mm)	L (mm)
W 4-031	1/4	37	6.3	150

3/8" SLIDING T-BAR

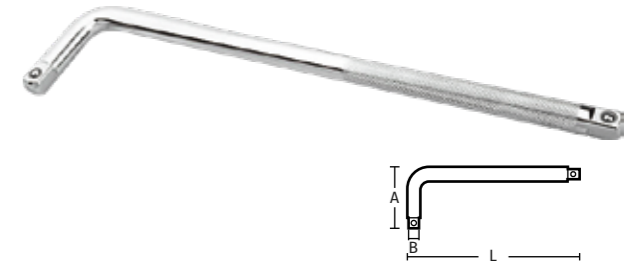
MOD: W 4-032



MODEL	SIZE (inch)	D (mm)	L (mm)
W 4-032	3/8	35	160

3/8" L-HANDLE

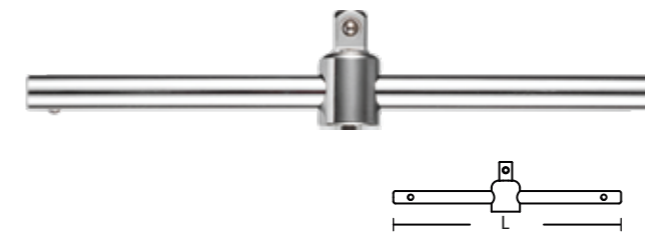
MOD: W 4-033



MODEL	SIZE (inch)	A (mm)	B (mm)	L (mm)
W 4-033	3/8	60	9.5	255

1/2" SLIDING T-BAR

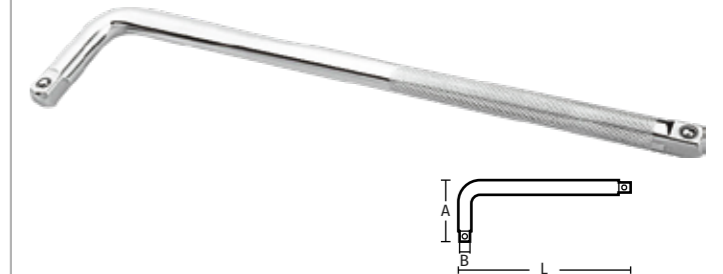
MOD: W 4-034



MODEL	SIZE (inch)	D (mm)	L (mm)
W 4-034	1/2	35	250

1/2" L-HANDLE

MOD: W 4-035



MODEL	SIZE (inch)	A (mm)	B (mm)	L (mm)
W 4-035A	1/2	50	12.5	250
W 4-035B	1/2	50	12.5	300
W 4-035C	1/2	50	12.5	320

1/2" SLOTTED BIT SOCKETS

MOD: W 4-036



MODEL	SIZE	L(mm)	DIAMETER (mm)
W 4-036A	FD8	100	8
W 4-036B	FD10	100	10
W 4-036C	FD12	100	12
W 4-036D	FD14	100	10

1/2" TORX BIT SOCKETS

MOD: W 4-037



MODEL	SIZE	L(mm)	DIAMETER (mm)
W 4-037A	T20	60	8
W 4-037B	T25	60	8
W 4-037C	T27	60	8
W 4-037D	T30	60	8
W 4-037E	T40	60	8
W 4-037F	T45	60	8
W 4-037G	T50	60	8
W 4-037H	T55	60	10
W 4-037I	T60	60	10
W 4-037J	T20	100	8
W 4-037K	T25	100	8
W 4-037L	T27	100	8
W 4-037M	T30	100	8
W 4-037N	T40	100	8
W 4-037O	T45	100	8
W 4-037P	T50	100	8
W 4-037Q	T55	100	10
W 4-037R	T60	100	12
W 4-037S	T52	125	10

1/2" HEX BIT SOCKETS

MOD: W 4-038



MODEL	SIZE	L(mm)	DIAMETER (mm)
W 4-038A	H4	60	8
W 4-038B	H5	60	8
W 4-038C	H6	60	8
W 4-038D	H7	60	8
W 4-038E	H8	60	8
W 4-038F	H10	60	10
W 4-038G	H12	60	12
W 4-038H	H14	60	14
W 4-038I	H17	60	17
W 4-038J	H4	100	8
W 4-038K	H5	100	8
W 4-038L	H6	100	8
W 4-037M	H7	100	8
W 4-038N	H8	100	8
W 4-038O	H10	100	10
W 4-038P	H12	100	12
W 4-038Q	H14	100	14
W 4-038R	H17	100	17

1/2" DODECAGONAL BIT SOCKETS

MOD: W 4-039



MODEL	SIZE	L(mm)	DIAMETER (mm)
W 4-039A	M5	60	8
W 4-039B	M6	60	8
W 4-039C	M8	60	8
W 4-039D	M10	60	10
W 4-039E	M12	60	12
W 4-039F	M14	60	14
W 4-039G	M16	60	17
W 4-039H	M5	100	8
W 4-039I	M6	100	8
W 4-039J	M8	100	8
W 4-039K	M10	100	10
W 4-039L	M12	100	12
W 4-039M	M14	100	14
W 4-039N	M16	100	17

3/8" PHILLIPS BIT SOCKETS

MOD: W 4-040



MODEL	SIZE	L(mm)	DIAMETER (mm)
W 4-040A	PH1	38	6.3
W 4-040B	PH2	38	6.3
W 4-040C	PH3	38	6.3
W 4-040D	PH1	48	6.3
W 4-040E	PH2	48	6.3
W 4-040F	PH3	48	6.3
W 4-040G	PH4	48	6.3

1/2" TORX BIT SOCKETS

MOD: W 4-041



MODEL	SIZE	L(mm)	DIAMETER (mm)
W 4-041A	T8	38	6.3
W 4-041B	T9	38	6.3
W 4-041C	T10	38	6.3
W 4-041D	T15	38	6.3
W 4-041E	T20	38	6.3
W 4-041F	T25	38	6.3
W 4-041G	T27	38	6.3
W 4-041H	T30	38	6.3
W 4-041I	T40	38	6.3
W 4-041J	T10	48	6.3
W 4-041K	T15	48	6.3
W 4-041L	T20	48	6.3
W 4-041M	T25	48	6.3
W 4-041N	T27	48	6.3
W 4-041O	T30	48	6.3
W 4-041P	T40	48	6.3
W 4-041Q	T45	48	8
W 4-041R	T50	48	8
W 4-041S	T55	48	10
W 4-041T	T60	48	10

3/4" HEX BIT SOCKETS

MOD: W 4-042



MODEL	SIZE	L(mm)	DIAMETER (mm)
W 4-042A	H2	38	6.3
W 4-042B	H3	38	6.3
W 4-042C	H4	38	6.3
W 4-042D	H5	38	6.3
W 4-042E	H6	38	6.3
W 4-042F	H7	38	6.3
W 4-042G	H8	38	6.3
W 4-042H	H3	48	6.3
W 4-042I	H4	48	6.3
W 4-042J	H5	48	6.3
W 4-042K	H6	48	6.3
W 4-042L	H7	48	8
W 4-042M	H8	48	8
W 4-042N	H10	48	10

1" SLOTTED BIT SOCKETS

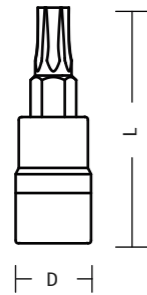
MOD: W 4-043



MODEL	SIZE	L(mm)	DIAMETER (mm)
W 4-043A	FD4	38	6.3
W 4-043B	FD5.5	38	6.3
W 4-043C	FD6.5	38	6.3
W 4-043D	SL5.5	48	6.3
W 4-043E	SL6.5	48	6.3
W 4-043F	SL8	48	8

BIT SOCKETS

MOD: W 4-044



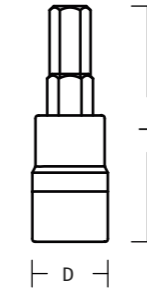
1/4" DR. BIT SOCKET			
MODEL	SIZE	L(mm)	D (mm)
W 4-044A-01	T8	38	12
W 4-044A-02	T10	38	12
W 4-044A-03	T15	38	12
W 4-044A-04	T20	38	12
W 4-044A-05	T25	38	12
W 4-044A-06	T27	38	12
W 4-044A-07	T30	38	12
W 4-044A-08	T40	38	12

3/8" DR. BIT SOCKET			
MODEL	SIZE	L (mm)	D (mm)
W 4-044B-01	T8	48	18
W 4-044B-02	T10	48	18
W 4-044B-03	T15	48	18
W 4-044B-04	T20	48	18
W 4-044B-05	T25	48	18
W 4-044B-06	T30	48	18
W 4-044B-07	T40	48	18
W 4-044B-08	T45	48	18
W 4-044B-09	T50	48	18
W 4-044B-10	T55	48	18
W 4-044B-11	T60	48	18

1/2" DR. BIT SOCKET			
MODEL	SIZE	L (mm)	D (mm)
W 4-044C-01	T15	60	22
W 4-044C-02	T20	60	22
W 4-044C-03	T25	60	22
W 4-044C-04	T27	60	22
W 4-044C-05	T30	60	22
W 4-044C-06	T40	60	22
W 4-044C-07	T45	60	22
W 4-044C-08	T47	60	22
W 4-044C-09	T50	60	22
W 4-044C-10	T55	60	22
W 4-044C-11	T60	60	22
W 4-044C-12	T70	100	22
W 4-044C-13	T10	100	22
W 4-044C-14	T15	100	22
W 4-044C-15	T20	100	22
W 4-044C-16	T25	100	22
W 4-044C-17	T27	100	22
W 4-044C-18	T30	100	22
W 4-044C-19	T40	100	22
W 4-044C-20	T45	100	22
W 4-044C-21	T47	100	22
W 4-044C-22	T50	100	22
W 4-044C-23	T55	100	22
W 4-044C-24	T60	100	22
W 4-044C-25	T70	100	22
W 4-044C-26	T52	100	22
W 4-044C-26L	T52	100	22

BIT SOCKETS

MOD: W 4-045



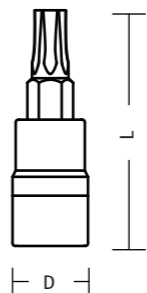
1/4" DR. BIT SOCKET			
MODEL	SIZE	L(mm)	D (mm)
W 4-045A-01	H3	38	12
W 4-045A-02	H4	38	12
W 4-045A-03	H5	38	12
W 4-045A-04	H6	38	12
W 4-045A-05	H7	38	12
W 4-045A-06	H8	38	12

3/8" DR. BIT SOCKET			
MODEL	SIZE	L (mm)	D (mm)
W 4-045B-01	H3	48	18
W 4-045B-02	H4	48	18
W 4-045B-03	H5	48	18
W 4-045B-04	H6	48	18
W 4-045B-05	H7	48	18
W 4-045B-06	H8	48	18

1/2" DR. BIT SOCKET			
MODEL	SIZE	L (mm)	D (mm)
W 4-045C-01	H3	60	22
W 4-045C-02	H4	60	22
W 4-045C-03	H5	60	22
W 4-045C-04	H6	60	22
W 4-045C-05	H7	60	22
W 4-045C-06	H8	60	22
W 4-045C-07	H9	60	22
W 4-045C-08	H10	60	22
W 4-045C-09	H12	60	22
W 4-045C-10	H14	60	22
W 4-045C-11	H3	100	22
W 4-045C-12	H4	100	22
W 4-045C-13	H5	100	22
W 4-045C-14	H6	100	22
W 4-045C-15	H7	100	22
W 4-045C-16	H8	100	22
W 4-045C-17	H9	100	22
W 4-045C-18	H10	100	22
W 4-045C-19	H12	100	22
W 4-045C-20	H14	100	22
W 4-045C-21	H17	100	22
W 4-045C-22	H19	100	22

BIT SOCKETS

MOD: W 4-046



1/2" DR. BIT SOCKET			
MODEL	SIZE	L(mm)	D (mm)
W 4-046A-01	M5	100	22
W 4-046A-02	M6	100	22
W 4-046A-03	M8	100	22
W 4-046A-04	M10	100	22
W 4-046A-05	M12	100	22
W 4-046A-06	M14	100	22
W 4-046A-07	M16	100	22
W 4-046A-08	M17	100	22
W 4-046A-09	M18	100	22

NON-MARRING LUG NUT SOCKETS

MOD: W 4-047



MODEL	SIZE (mm)	L(mm)
W 4-047A	17	80
W 4-047B	19	80
W 4-047C	21	80
W 4-047D	22	80
W 4-047F	23	80

QUICK RELEASE RATCHET

MOD: W 4-048



MODEL	SIZE (inch)	TORQUE (DIN*1.3)
W 4-048A	1/4	62N.m*1.3
W 4-048B	3/8	202N.m* 1.3
W 4-048C	1/2	512N.m*1.3

STRAIGHT QUICK RELEASE RATCHET

MOD: W 4-049



MODEL	SIZE (inch)	TORQUE (DIN*1.3)
W 4-049A	1/4	62N.m*1.3
W 4-049B	3/8"	202N.m* 1.3
W 4-049C	1/2	512N.m*1.3

CURVED QUICK RELEASE RATCHET

MOD: W 4-050



MODEL	SIZE (inch)	TORQUE (DIN*1.3)
W 4-050A	1/4	62N.m*1.3
W 4-050B	3/8	202N.m* 1.3
W 4-050C	1/2	512N.m*1.3

EXTRA-LONG QUICK RELEASE RATCHET

MOD: W 4-051



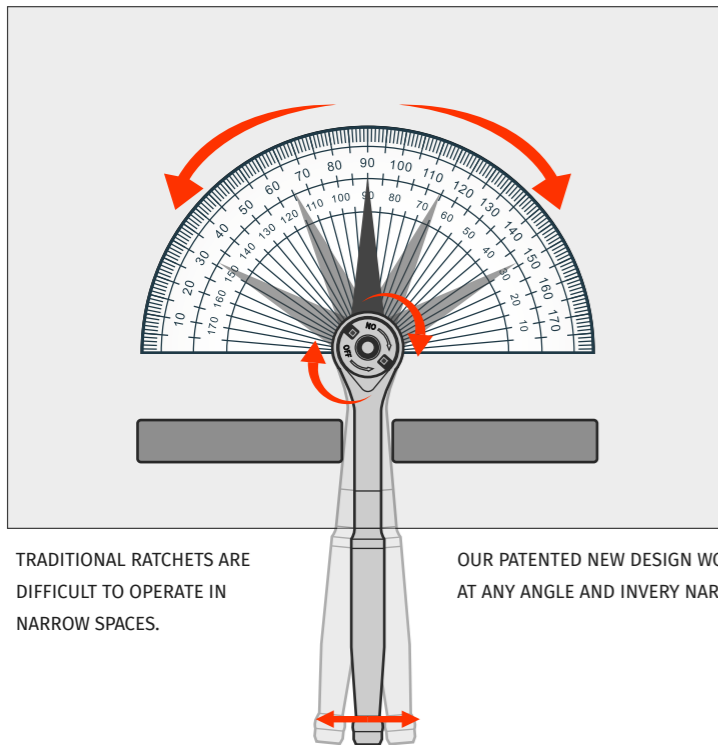
MODEL	SIZE (inch)	TORQUE (DIN*1.3)
W 4-051A	1/4	62N.m*1.3
W 4-051B	3/8	202N.m* 1.3
W 4-051C	1/2	512N.m*1.3

GEARLESS RATCHET HANDLE

MOD: W 4-052



MODEL	SIZE (inch)
W 4-049A	1/4
W 4-049B	3/8
W 4-049C	1/2



TRADITIONAL PRODUCT FEATURES:
 MATERIAL: CARBON STEEL OR 40CRV STEEL
 GEAR : 50BV30
 TEETH : 45 TEETH OR 72 TEETH OR EVEN 120 TEETH

OUR NEW PRODUCT FEATURES:
 MATERIAL: S2 STEEL
 GEAR: S2 STEEL
 TEETH: GEARLESS
 TORQUE: 1.3 x ANSI STANDARD

PATENTED DESIGN

RATCHET SOCKET SET

MOD: W 4-053

120 PCS

1/4" & 3/8" & 1/2" DR.



RATCHET SOCKET SET

MOD: W 4-054

94 PCS

1/4" & 1/2" DR.



RATCHET SOCKET SET

MOD: W 4-055

150 PCS

1/4" & 3/8" & 1/2" DR.



RATCHET SOCKET SET

MOD: W 4-056

53 PCS

1/4" DR.



RATCHET SOCKET SET

MOD: W 4-057

46 PCS

1/4" DR.



RATCHET SOCKET SET

MOD: W 4-058

21 PCS

1/2" DR.



RATCHET SOCKET SET

MOD: W 4-059

32 PCS

1/2" DR.



RATCHET SOCKET SET

MOD: W 4-060

32 PCS

1/2" DR.



RATCHET SOCKET SET

MOD: W 4-061

108 PCS

1/4" & 1/2" DR.



RATCHET SOCKET SET

MOD: W 4-062

138 PCS

1/4" & 3/8" & 1/2" DR.



RATCHET SOCKET SET

MOD: W 4-063

94 PCS

1/4" & 1/2" DR.



RATCHET SOCKET SET

MOD: W 4-064

38 PCS

1/4" DR.



RATCHET SOCKET SET

MOD: W 4-065

64 PCS

1/4" & 1/2" DR.



RATCHET SOCKET SET

MOD: W 4-066

26 PCS

1/2" & 3/8" DR.



RATCHET SOCKET SET

MOD: W 4-067

27 PCS

1/4" DR.



TORQUE WRENCH SET

MOD: W 4-068

11 PCS



- 1 PC 1/4" 2-25N.M (20-200 LB.IN) TORQUE WRENCH
- 9 PCS 1/4" BIT SOCKET: H3 - H4 - H5 - H6 - H7 - T10 - T15 - T20 - T25
- 1 PC 1/4" EXTENSION BAR: 4"

TORQUE WRENCH SET

MOD: W 4-069

5 PCS



- 1 PC 3/8" 10 - 60N.M TORQUE WRENCH
- 1 PC 3/8" EXTENSION BAR: 10"
- 1 PC 3/8" UNIVERSAL JOIN
- 2 PCS 3/8" MAGNETIZED SPARK PLUG SOCKET: 16 - 21MM

TORQUE WRENCH SET

MOD: W 4-070

16 PCS



- 1 PC 1/4" 2-25N.M TORQUE WRENCH
- 6 PCS 1/4" SOCKET: 4 - 5 - 6 - 7 - 10 - 12MM
- 9 PCS 1/4" BIT SOCKET: H3 - H4 - H5 - T10 - T15 - T20 - T27 - T30 - T40

TORQUE WRENCH SET

MOD: W 4-071

- 1 PC 1/2" 20-220N.M TORQUE WRENCH
- 1 PC 1/2" *3/8" ADAPTOR
- 1 PC 1/2" EXTENSION BAR: 5"
- 4 PCS 1/2" SOCKET: 17 - 19 - 21 - 23MM



7 PCS

TORQUE WRENCH SET

MOD: W 4-072

- 1 PC 1/2" 20-220N.M TORQUE WRENCH
- 1 PC 1/2" *3/8" ADAPTOR
- 1 PC 1/2" EXTENSION BAR: 5"



3 PCS

TORQUE WRENCH SET

MOD: W 4-073

- 1 PC 1/2" 20-220N.M TORQUE WRENCH
- 1 PC 1/2" *3/8" ADAPTOR
- 1 PC 1/2" EXTENSION BAR: 5"
- 3 PCS 1/2" IMPACT SOCKET: 17 - 19 - 21 MM



6 PCS

TOOL SET CABINETS

MOD: W 4-074

306 PCS



RATCHET AND SOCKET SET 196 PCS



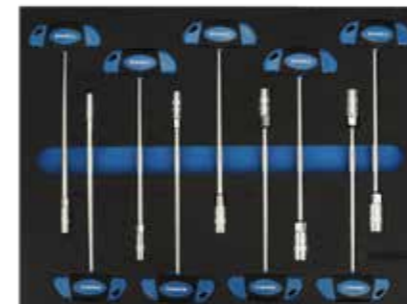
SCREWDRIVER 23 PCS



SPANNERS SET 45 PCS



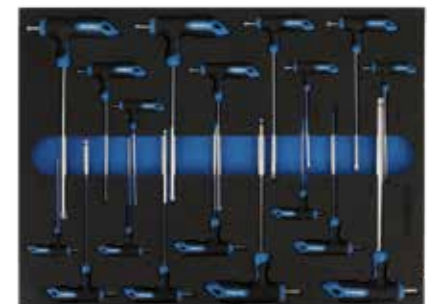
T-HANDLE SOCKET SET 9 PCS



PLIERS AND HAMMER SET 11 PCS



T-HANDLE KEY WRENCH SET 18 PCS



TOOL SET CABINETS

MOD: W 4-075

306 PCS



RATCHET AND SOCKET SET 196 PCS



SCREWDRIVER 23 PCS



SPANNERS SET 45 PCS



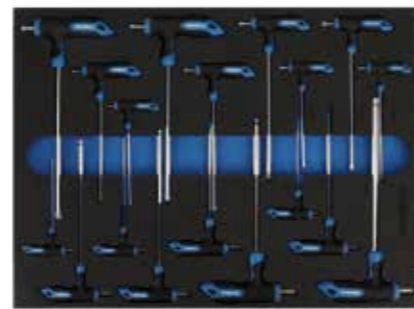
T-HANDLE SOCKET SET 9 PCS



PLIERS AND HAMMER SET 11 PCS



T-HANDLE KEY WRENCH SET 18 PCS



TOOL SET CABINETS

MOD: W 4-076

260 PCS



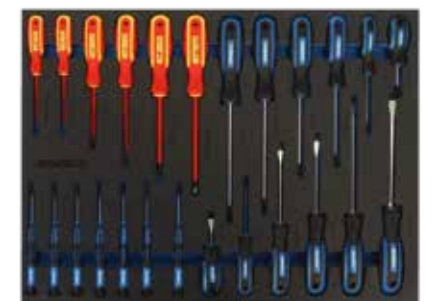
102 PCS BIT SET



18 PCS PLIER SET



25 PCS SCREWDRIVER SET



80 PCS SOCKET SET



34 PCS RING AND SPANNER SET



TOOL SET CABINETS

MOD: W 4-077

287 PCS



187 PCS RATCHET, BIT AND SOCKET TOOL SET



31 PCS SPANNER SET



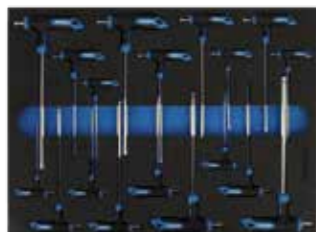
11 PCS PLIER AND HAMMER SET



23 PCS SCREWDRIVER SET



18 PCS T-TYPE TORX & HEX KEY WRENCH SET



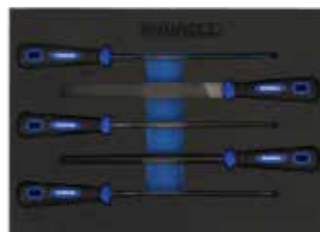
4 PCS VDE PLIER SET



7 PCS VDE SCREWDRIVER SET



5 PCS FILE SET



ROLLING CAR STOOL

MOD: W 4-078

- PRODUCT SIZE: (L) 41.5CM (W) 27CM (H) 35 CM
- SEAT SIZE: (L) 36 CM (W) 26 CM; SEAT IS REMOVABLE AND COULD BE USED FOR KNEEL BOARD
- 4 PCS * 2" CASTORS
- LOADING CAPACITY : 300LBS
- METAL TOOL HOLDER
- NET WEIGHT : 6.2KG



ADJUSTABLE TOOL SEAT

MOD: W 4-079

- 360° SWIVEL
- FOAM-PADDED SEAT
- ADJUSTABLE SEAT HEIGHT FROM 42-54 CM
- BASE DIA: 385MM
- PP PLASTIC PARTS FOR EXTRA STORAGE, PLASTIC CHASSIS SIZE 20*16CM*4PCS. BOTTOM SIZE : 40*40CM
- LOAD CAPACITY 300LBS.
- 4PCS 2.5" WHEELS
- NET WEIGHT : 5.0KG



FOLDABLE 2 IN 1 MECHANIC CREEPER & STOOL

MOD: W 4-080

- FOLD-AWAY DESIGN AND 2 IN 1 Z -SHAPE CREEPER & STOOL
- SWIVEL CASTERS: 6 PCS 3" CASTERS
- OVERALL DIMENSION: CREEPER MODEL 1020 × 400 × 150MM; SEAT MODEL 54.5 × 40 × 49CM
- LOADING CAPACITY : CREEPER WITH 160KG AND SEAT WITH 135KG
- N.W./G.W.: 7.6/8.3 KG



TOOL SEAT

MOD: W 4-081

- OVERALL DIMENSION: 420MM × 364MM × 442MM
- DRAWERS SIZE: 280MM × 340MM × 170MM
- TOOLBOX SIZE: 280MM (LENGTH) 75MM(WIDTH) (ON THE TWO SIDES)
- DRAWER BACK TOOL BOX SIZE: 355MM × 75MM × 70MM
- SWIVEL CASTERS: 4 PCS 3" CASTERS
- MAX. LOAD CAPACITY: 300LBS
- NET WEIGHT : 9.7KG



TOOL SEAT

MOD: W 4-082

- OVERALL DIMENSION: 300MM (DIAMETER) 410MM (HEIGHT)
- 2 SLIDING DRAWERS TO STORE PARTS, DRAWER SIZE: 240MM × 140MM × 38MM
- SIDE CAN HOLDER SIZE: 165MM (LENGTH) × 80MM (DIAMETER)
- SWIVEL CASTERS: 4 PCS 2" CASTERS
- MAX. LOAD CAPACITY: 300LBS



ROLLING CAR CREEPER WITH ADJUSTABLE HEADREST

MOD: W 4-083

- SIZE: 108 × 46 × 20 CM
- MATERIAL : POWER COATED STEEL AND FOAM PADDED CREEPER, 6 PCS * 3" CASTERS
- SOLID STRUCTURE WITH NET WEIGHT 10KG
- 3-LEVELS ADJUSTABLE HEADREST, PORTABLE PUSH-TO-ADJUST/NEW PATENT
- STAND ALONE ARMREST LOADING CAPACITY : 300LBS

